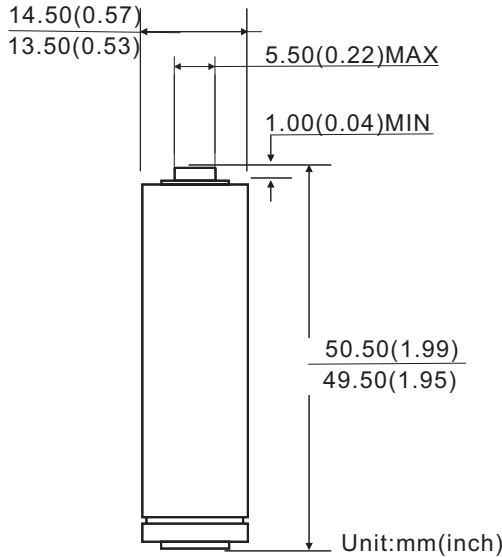


Camelion LR6-Digi

DIGI ALKALINE BATTERY



Dimensions



Specifications

Chemical System : Alkaline
 Zinc-Manganese Dioxide (Zn/MnO₂)
Camelion Model : LR6
IEC No. : LR6
ANSI/NEDA No. : 15A (AA)
Average Weight : 24.0g
Dimension (∅ x H) : 14.0^{±0.5} x 50.0^{±0.5} mm
 0.56^{±0.02} x 1.97^{±0.02} inch
Terminals : Flat
Nominal Voltage : 1.5Volts
Average Capacity : 2800 mAh to 0.8 volts
 (20±2 , Rated capacity at 25 mA continuous drain)
Jacket : Aluminum Foil Label

