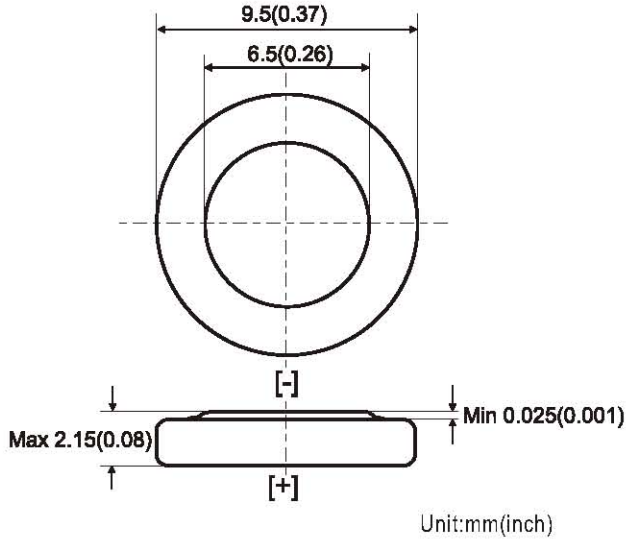


## ALKALINE BUTTON CELL

Document Title: PB03921

# LR921



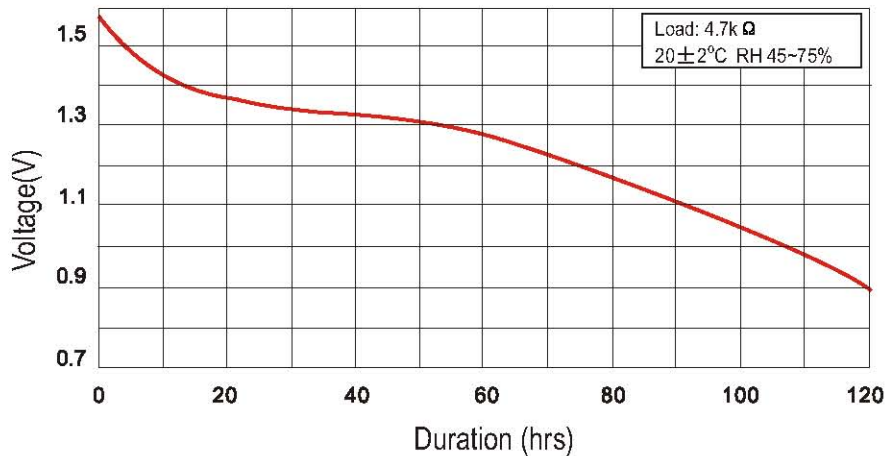
**Chemical System :** Primary Alkaline  
**Camelion Model :** LR 921(AG 6)  
**IEC Name:** LR 69, LR 921  
**Average Weight :** 0.57g  
**Dimension (∅ x H) :** 9.50 x 2.15 mm  
 (0.37 x 0.08inch)

**Negative Terminal :** Trimetal or steel gold plated  
**Positive Terminal:** Nickel plated steel  
**Nominal Voltage :** 1.5Volts  
**Nominal Service Capacity:** 30.0mAh  
 (20±2°C , Rated at 4.7KΩ to 0.90V)  
**Discharge Current:** 0~5.0mA  
**Cross Reference:** 370A,V6GA,395

## Discharge Characteristic

Load Resistance	Cut Off Voltage	Discharge Pattern	Starting Drain	Duration
4.7k Ω	0.9V	24hrs/day	0.32mA	120hrs

## Discharge Curve



**Notice:**

This information is subject to change without prior notice and for reference only. It should not be used as a basis for a product guarantee or warranty. For additional information, please consult your nearest Camelion Sales Office or Distributor or visit our website at: [www.camelionbattery.com](http://www.camelionbattery.com).