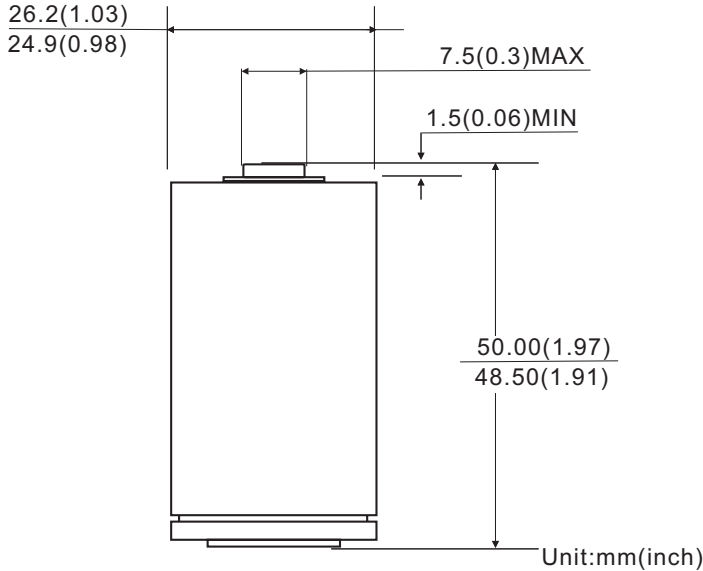


Camelion LR14-Plus

PLUS ALKALINE BATTERY



Dimensions



Specifications

Chemical System : Alkaline
Zinc-Manganese Dioxide (Zn/MnO₂)

Camelion Model : LR14

IEC No. : LR14

ANSI/NEDA No. : 14A (C)

Average Weight : 66.3g

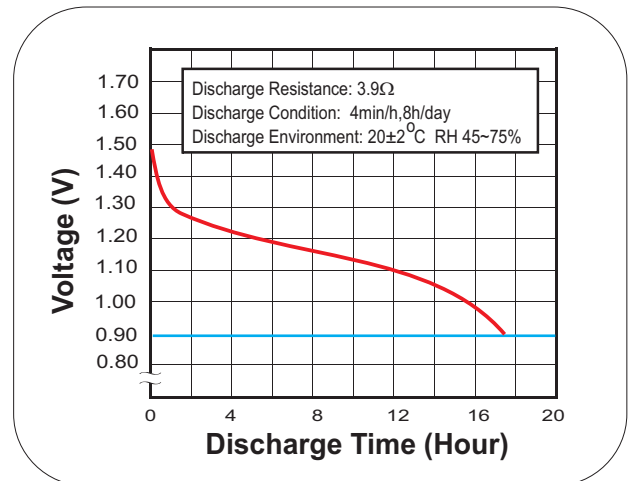
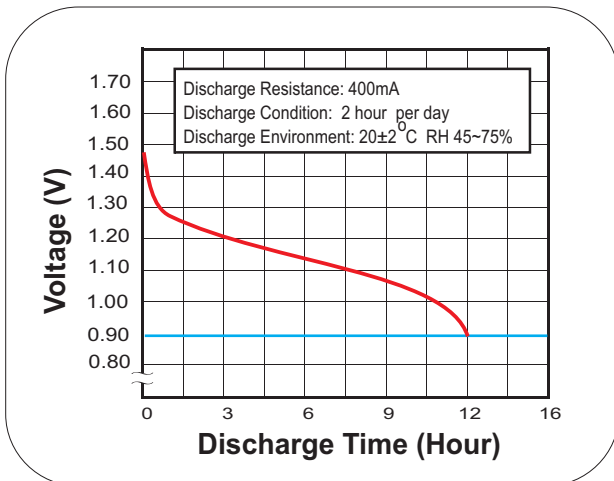
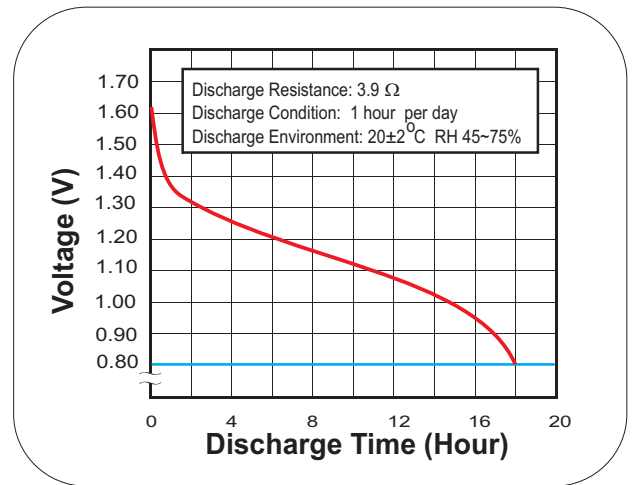
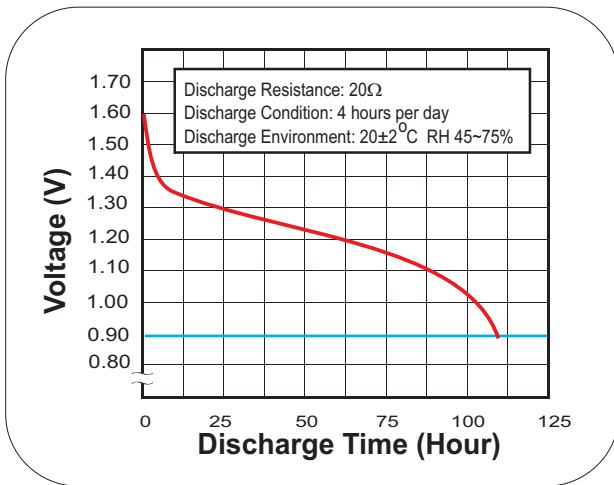
Dimension (∅ x H) : 25.55^{±0.65} x 49.25^{±0.75} mm
1.01^{±0.03} x 1.94^{±0.03} inch

Terminals : Flat

Nominal Voltage : 1.5Volts

Average Capacity : 8450 mAh to 0.8 volts
(20±2 , Rated capacity at 25 mA continuous drain)

Jacket : Aluminum Foil Label



Notice:

Environmental elements comply with RoHS requirements. This information is subject to change without prior notice and for reference only. It should not be used as a basis for a product guarantee or warranty. For additional information, please consult your nearest Camelion Sales Office or Distributor or visit our website at: www.camelionbattery.com.