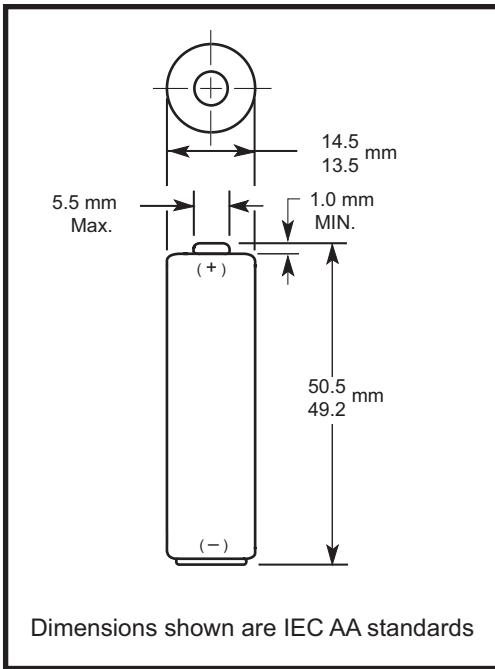




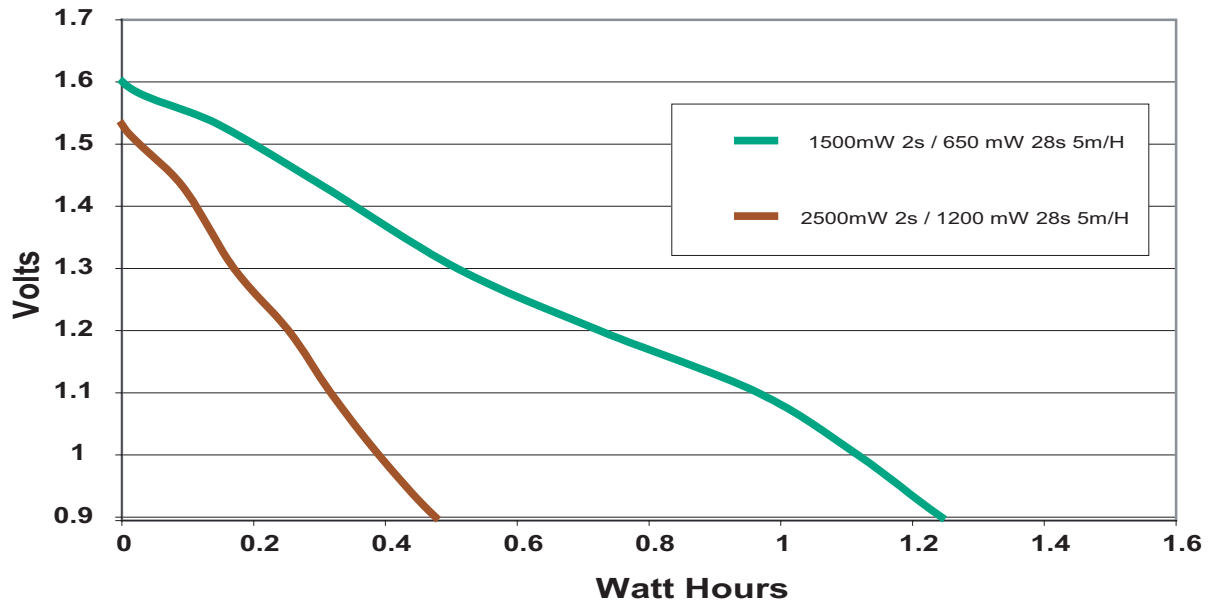
**NX1500**  
**Size: AA (ZR6)**

**Zn/NiOOH**



<b>Nominal Voltage:</b>	1.5 V
<b>Average Weight:</b>	23 gm (0.8 oz.)
<b>Volume:</b>	8.4 cm <sup>3</sup> (0.51 in. <sup>3</sup> )
<b>Terminals:</b>	Flat , cap & base
<b>Operating Temperature Range:</b>	-20°C to 54°C (-4°F to 130°F)
<b>ANSI:</b>	-
<b>IEC:</b>	ZR6

**Typical Performance Duracell AA Power Pix**



\* Delivered capacity is dependent on the applied load, operating temperature and cut-off voltage.